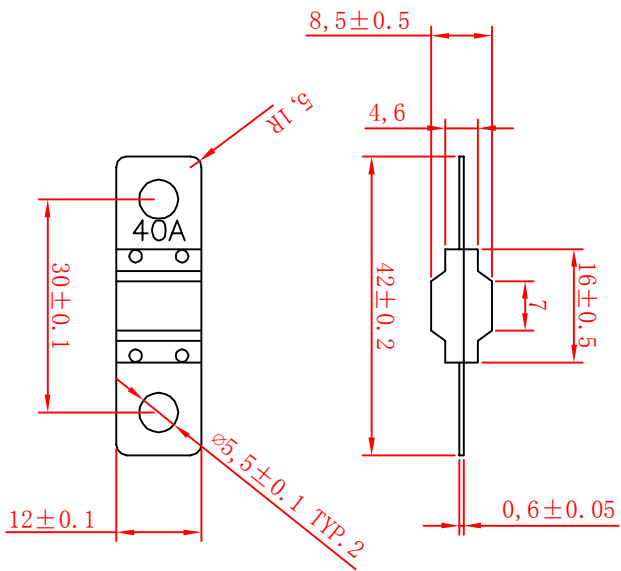


1 2 3 4 5 6 7 8

DRAWING REVISIONS				
REV	S/N	DESCRIPTION	APPROVED	DATE
A	20091210-011	ORIGINAL RELEASE		



ITEM	Voltage rating	RATING	ASSEMBLY P/N
9	32V	150A	ANS-150
8	32V	125A	ANS-125
7	32V	100A	ANS-100
6	32V	80A	ANS-80
5	32V	70A	ANS-70
4	32V	60A	ANS-60
3	32V	50A	ANS-50
2	32V	40A	ANS-40
1	32V	30A	ANS-30

NOTES: UNLESS OTHERWISE SPECIFIED.

- the fuses shown are for in motor vehicles, boats and trailers to protect electrical wiring and vehicles. This standard is for the construction shown and is not intended to restrict the design and use of other configurations and materials capable of meeting the vehicle requirements.
- A fuse is a device designed to interrupt the electrical circuit when subjected to overcents. This action is to be nonreversible and the fuse is intended to be replaced after the circuit, malfunction has been corrected.
- Functional Characteristics
TESTING CURRENT
 100%
 110%
 150%
 200%
 300%
BLOW TIME LIMIT
 100Hr. minimum
 4Hr. minimum
 90seconds-3600seconds
 5seconds - 100seconds
 0.5sec-15sec
- Standard: ISO8820-5; UL248;

DONGGUAN TIANRUI ELECTRONICS CO.,LTD.

UNLESS OTHERWISE STATED		ANS bolt-on Fuse		CUSTOMER	
WALL THICKNESS	MM	±0.15	MM		
LINEAR	.XXV	±0.05	MM		
ANGLE		±0.5	DEG		
DRAFT ANGLE/SIDE		0.5	MAX	DPTS	Tommy
BURR & FLASH		0.10	MAX	CHRD	
BREAK CORNERS		0.20	R.MAX	APPD	
PARTING LINE DIRECTION		0.05	MAX		

1 2 3 4 5 6 7 8

F
E
D
C
B
A

F
E
D
C
B
A