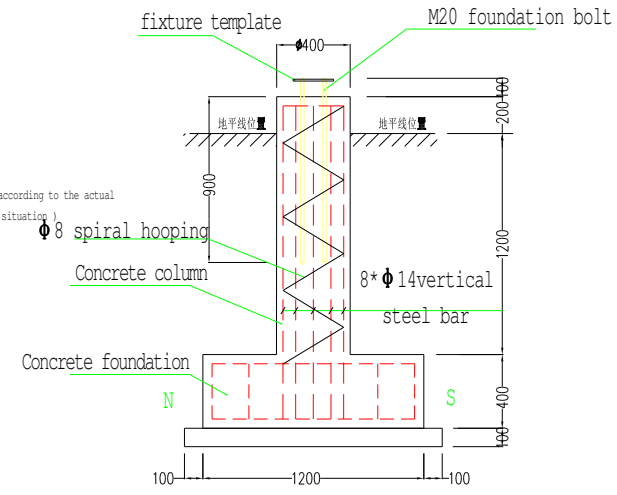
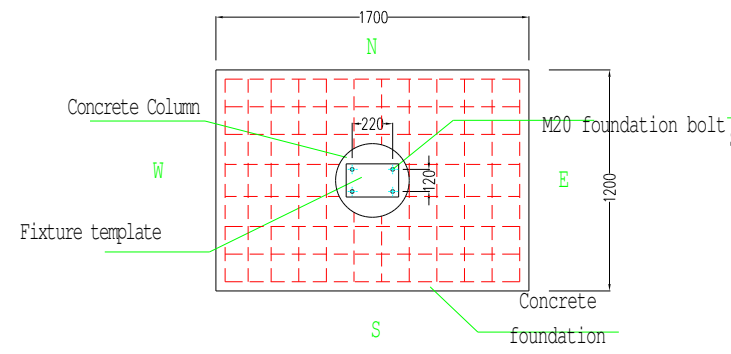


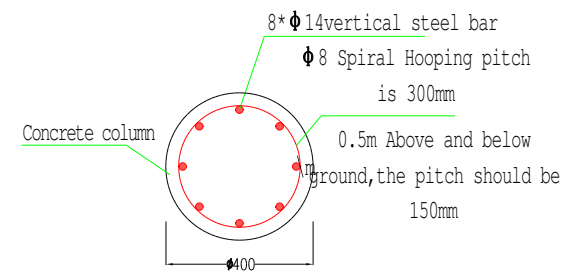
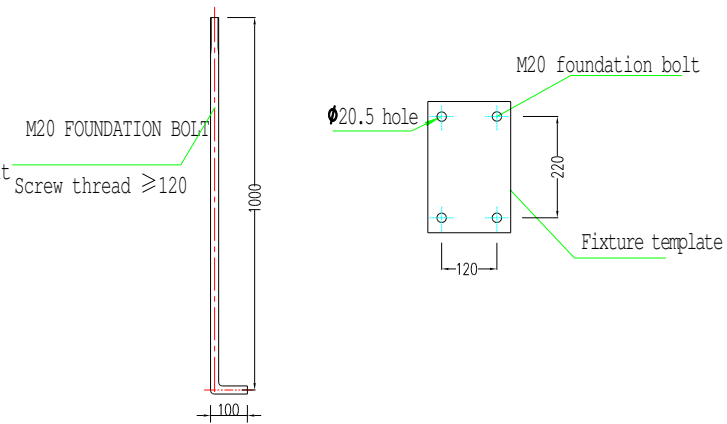
FRONT-VIEW



SIDE-VIEW



TOP-VIEW



Remark:

- 1、 The unit in the drawing are mm, using C30 concrete.
- 2、 Be sure to confirm the south direction during construction.