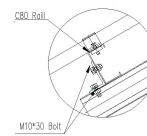
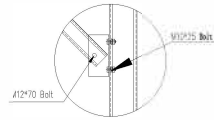
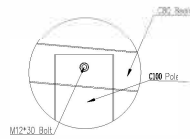
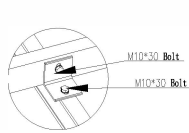
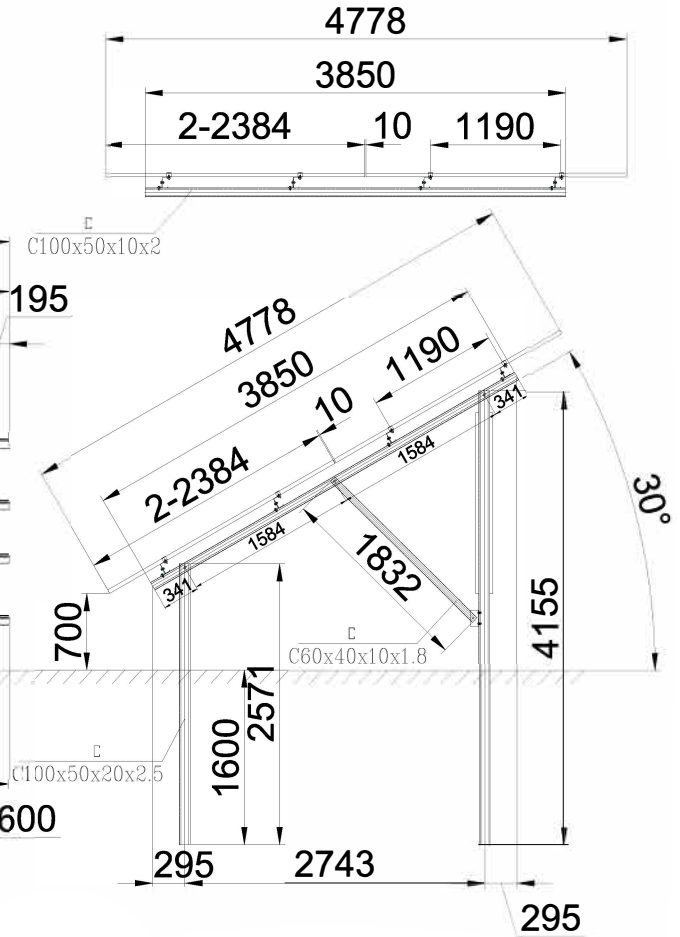
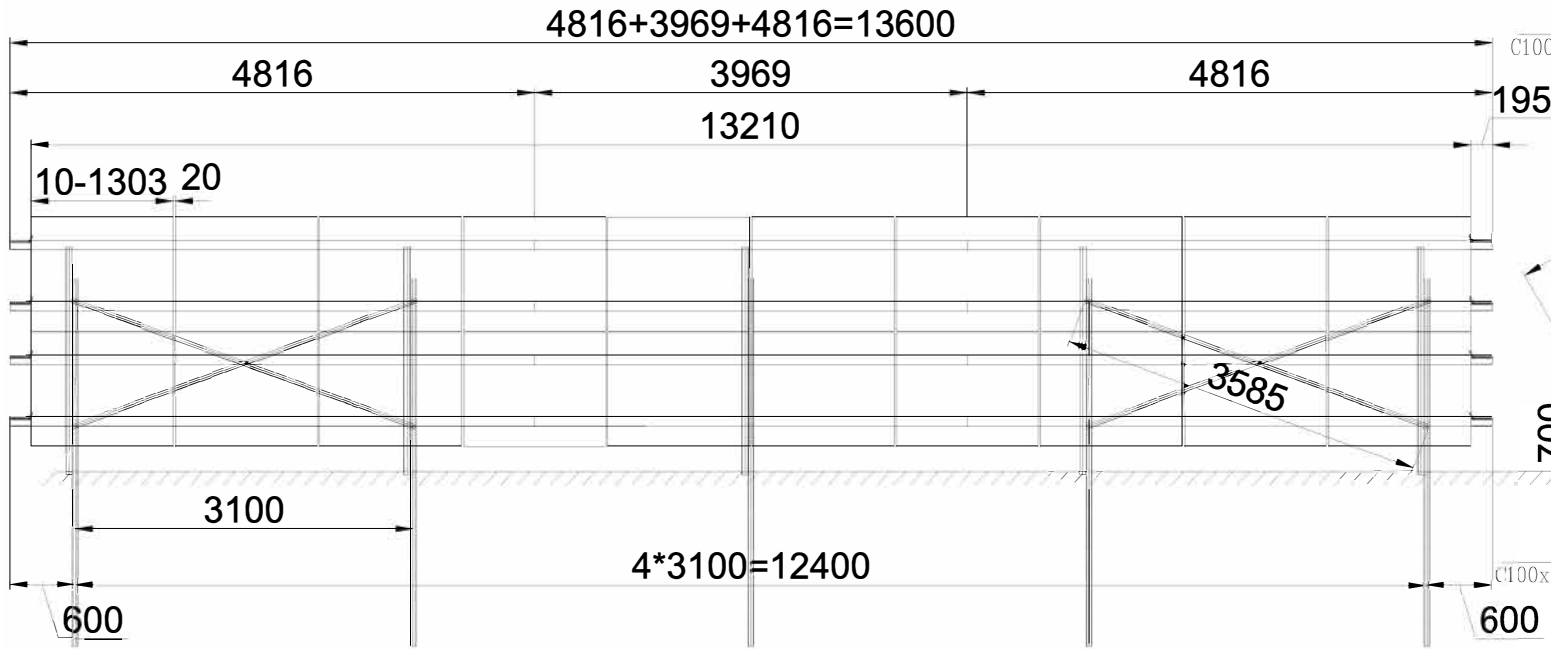
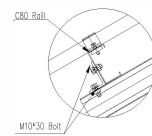
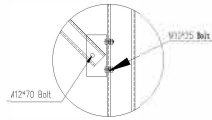
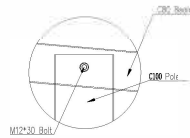
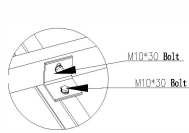
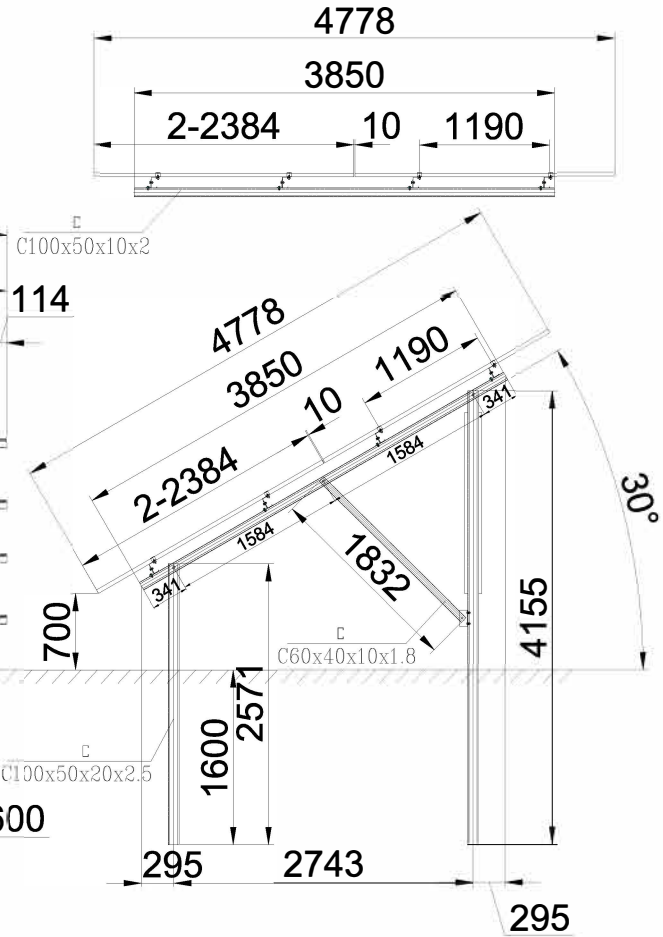
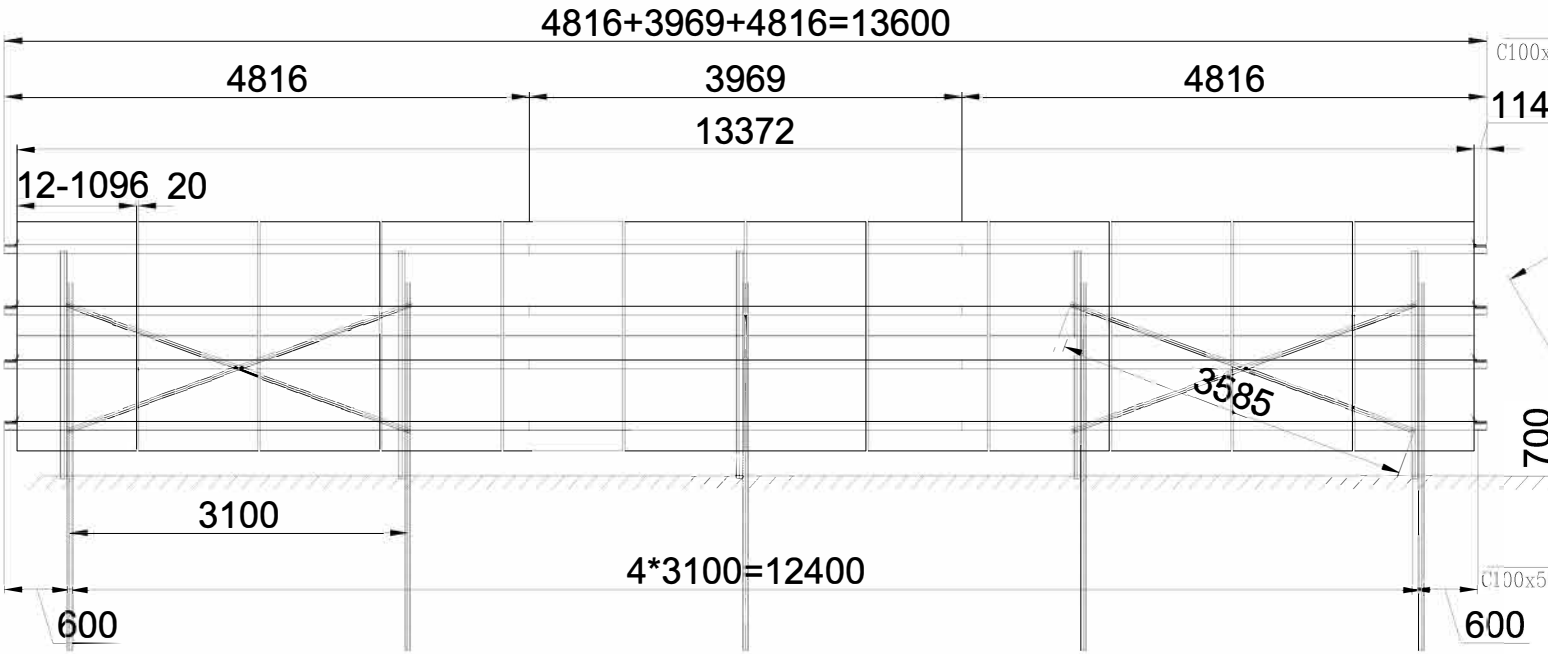


2*10*108



Proj Name	BK78413				
Wind Speed	25.3m/s	Snow Load	1.5KN/m2		
Tilt Angle	30°	GL	700m	Drawing Date	2023.09.10
Module Dimension	2384*1303*35		550w	Scale	A4
Module Quantity	2160	Power Capacity	1188000		
G.Roughness		Unit	MM		

2*12*108



Proj Name	BK78413				
Wind Speed	25.3m/s	Snow Load	1.5KN/m2		
Tilt Angle	30°	GL	700m	Drawing Date	2023.09.10
Module Dimension	2384*1096*35		550w	Scale	A4
Module Quantity	2180	Power Capacity	1188000		
G.Roughness		Unit	MM		